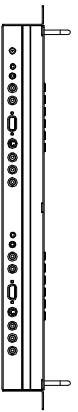
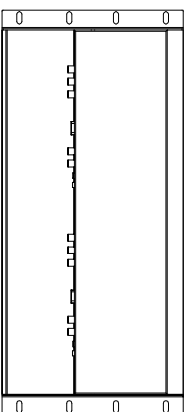
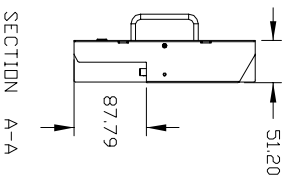
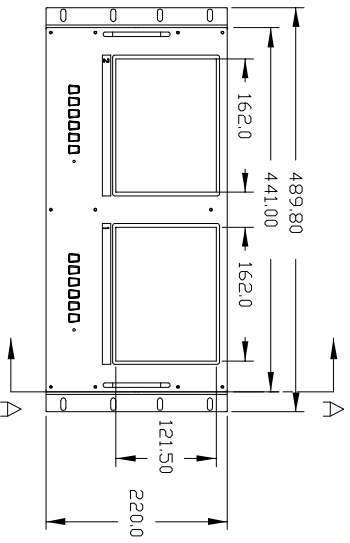
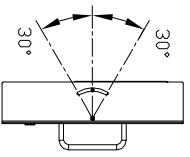
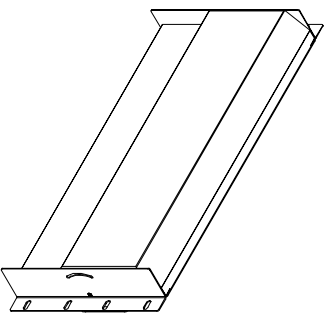
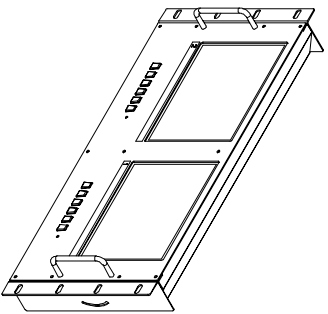
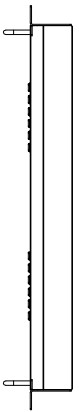
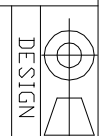




REVISION			
ISSUE ZONE	DESCRIPTION	DATE	REVISER



VIEWTEK®  
LEE MING INDUSTRIAL CO.,LTD



MODEL NO.	PARTS NO.	DWG. DATE	MATERIAL	UNIT	PARTS NAME
LRM-8521		2008/06/09		mm	8"LCD X 2
CHECKED	APPROVED	REV. DATE	SCALE	REV	FILE NO. DRAWING NO.

1 2 3 4 5 6 7 8

RECORD OF REVISION

Version	Page	Old Description	New Description	Remark